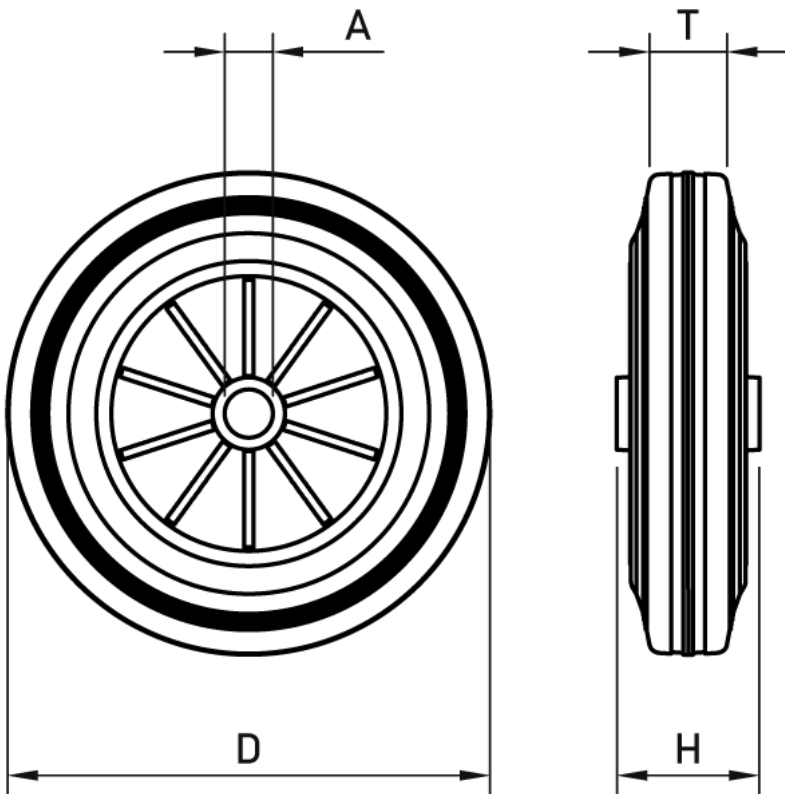


Telephone (01803) 875 222  
 Unit 19, Bulleigh Barton Farm and  
 commercial units, TQ12 5UA  
[sales@handle-it.com](mailto:sales@handle-it.com)  
[www.handle-it.com](http://www.handle-it.com)



## Wheel Enquiry Form

Use this sheet to fill out details on the wheel you require for a simple enquiry then save the file as a pdf and email to [Sales@Handle-it.com](mailto:Sales@Handle-it.com). Alternatively, copy the table from this file into an email and enter information into the spaces

This sheet is designed for simple enquiries. If you require a more complex order, please email [sales@handle-it.com](mailto:sales@handle-it.com), or phone 01803 875 222 to chat with the team.

Item	Measurements
Capacity	(kg)
Axle Diameter (A)	(mm)
Wheel Diameter (D)	(mm)
Tread Width (T)	(mm)
Hub Depth (H)	(mm)
Tyre type (Pneumatic, solid, polyurethane puncture proof)	
Hub Offset (if needed)	(mm)

FOR SECURITY REASONS, PLEASE SAVE AS A PDF FILE BEFORE SENDING IT BACK TO US



Handling Your Handling Needs  
 VAT Registration Number 836 905013  
 Company Number 4637039

